

COLLECTION

BATEA S

The smallest member of the Batea family, inspired by traditional serving trays, provides extra functionality with its solid wooden tray, easy to remove and use. A side tray table that combines tradition and modernity, adapting to the dynamics of each space.

With clean, rounded lines, this piece comprises a tray and three legs made of solid wood that can be easily attached to a lacquered metal structure.

Available in seven different finishes, two natural finishes made of oak wood and five in colour made of ash.

La pequeña de la familia Batea, inspirada en las tradicionales bandejas para servir, aporta funcionalidad extra con su bandeja de madera maciza, fácil de extraer y de utilizar. Una mesa que fusiona tradición y modernidad, adaptándose al dinamismo de cada espacio.

De líneas limpias y redondeadas, se compone de una bandeja y tres patas de madera maciza, que se montan fácilmente sobre una estructura de metal lacado.

Disponible en siete acabados diferentes, dos acabados naturales elaborados con madera de roble y cinco en color elaborados con madera de fresno.



LIVE DESIGN



LIVE DESIGN

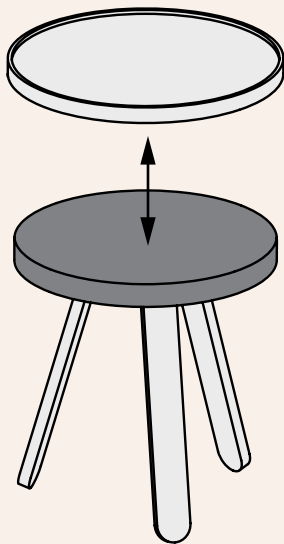
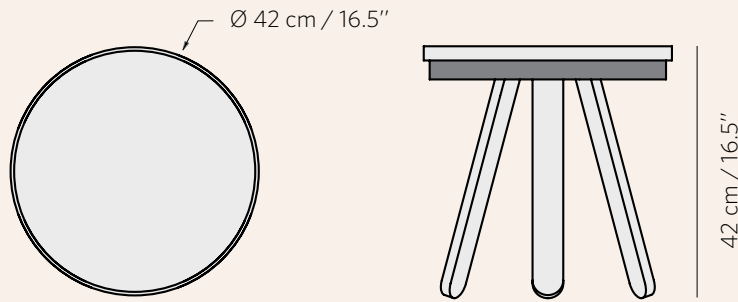




LIVE DESIGN

TECHNICAL SPECIFICATIONS

BATEA S



- BA-S-WB Small Walnut-Black Batea tray table
- BA-S-OW Small Oak-White Batea tray table
- BA-S-OB Small Oak-Black Batea tray table
- BA-S-WHT Small White Batea tray table
- BA-S-BLK Small Black Batea tray table
- BA-S-GRY Small Grey Batea tray table - RAL 7040
- BA-S-BLU Small Blue Batea tray table - RAL 5011
- BA-S-GRN Small Green Batea tray table - RAL 6033



- Table lid and legs made of solid ash/ oak/ walnut
- Structure in lacquered steel
- Matte finish
- Clean with damp cloth
- Easily assembled
- Delivered in a flat package

●
⚠ 4 Kg / 8.8 lbs

📦 4.5 Kg / 10 lbs
445 x 45 x 12H cm / 18" x 18" x 5"H